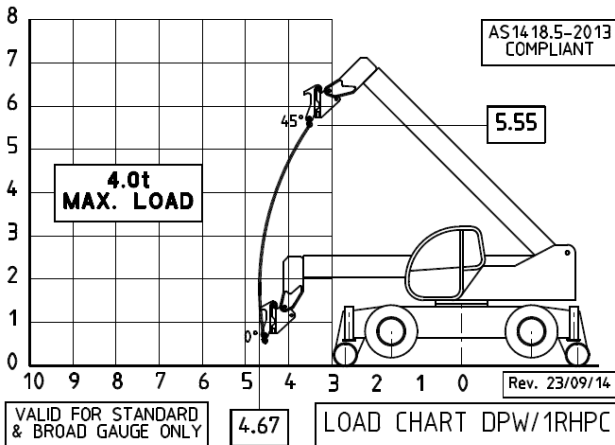


DIECI PEGASUS 45.21 & 50.21 HI-RAIL TELEHANDLERS  
WITH 4t CAPACITY RHINO HOOK #BCN5370  
RATED PICK & CARRY CAPACITY ON RAILS

OPERATING LIMITS:

MAXIMUM BOOM ELEVATION 45°  
MAXIMUM BOOM LENGTH 6.55m (FULLY RETRACTED)  
MAXIMUM BOOM SLEW ANGLE 0°  
MAXIMUM GRADIENT 5°  
MAXIMUM CANT 5°  
MAXIMUM CLEARANCE - RAILS TO BOTTOM OF LOAD: 30cm



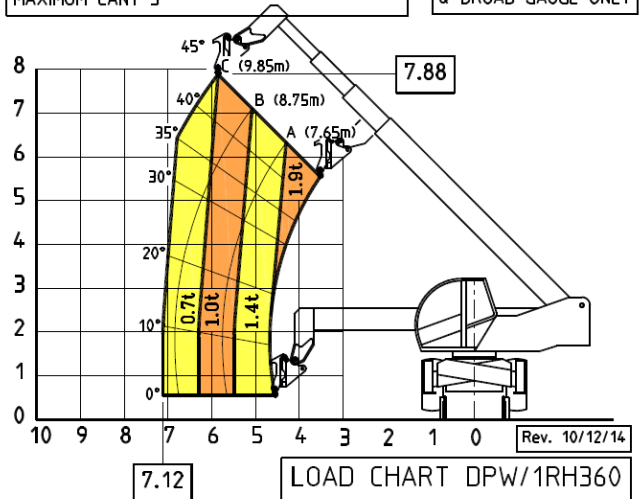
DIECI PEGASUS 45.21 & 50.21 HI-RAIL TELEHANDLERS  
WITH 4t CAPACITY RHINO HOOK #BCN5370  
RATED CAPACITY STATIONARY ON RAILS (360°)

OPERATING LIMITS:

MAXIMUM BOOM ELEVATION 45°  
MAXIMUM BOOM LENGTH 9.85m (POSITION 'C')  
MAXIMUM BOOM SLEW ANGLE 360°  
MAXIMUM GRADIENT 5°  
MAXIMUM CANT 5°

AS1418.5-2013  
COMPLIANT

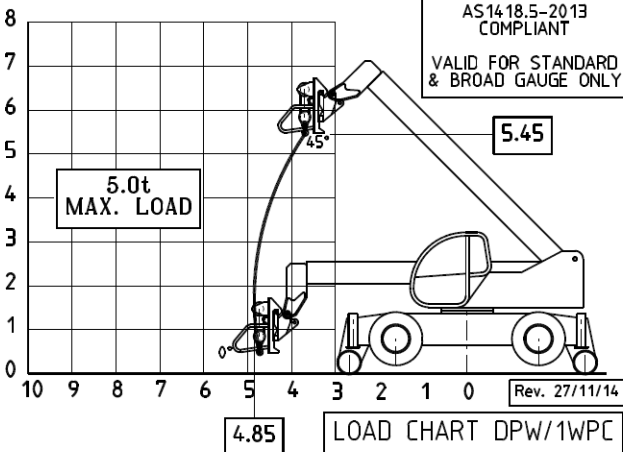
VALID FOR STANDARD  
& BROAD GAUGE ONLY



DIECI PEGASUS 45.21 & 50.21 HI-RAIL TELEHANDLERS  
WITH 5t CAPACITY WINCH #BUD4380  
RATED PICK & CARRY CAPACITY ON RAILS

OPERATING LIMITS:

MAXIMUM BOOM ELEVATION 45°  
MAXIMUM BOOM LENGTH 6.55m (FULLY RETRACTED)  
MAXIMUM BOOM SLEW ANGLE 0°  
MAXIMUM GRADIENT 5°  
MAXIMUM CANT 5°  
MAXIMUM CLEARANCE - RAILS TO BOTTOM OF LOAD: 30cm



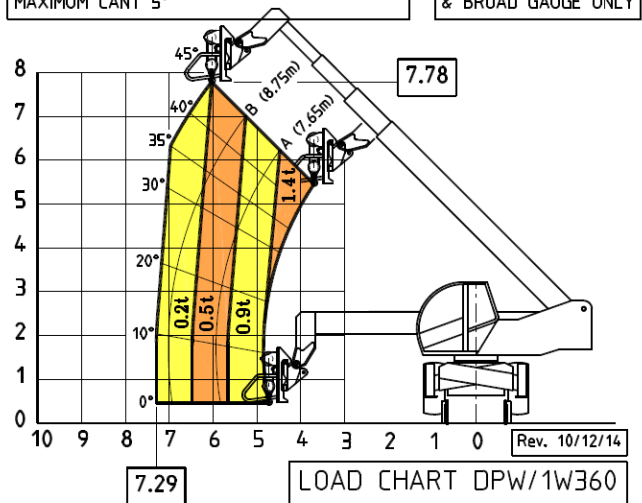
DIECI PEGASUS 45.21 & 50.21 HI-RAIL TELEHANDLERS  
WITH 5t CAPACITY WINCH #BUD4380  
RATED CAPACITY STATIONARY ON RAILS (360°)

OPERATING LIMITS:

MAXIMUM BOOM ELEVATION 45°  
MAXIMUM BOOM LENGTH 9.85m (POSITION 'C')  
MAXIMUM BOOM SLEW ANGLE 360°  
MAXIMUM GRADIENT 5°  
MAXIMUM CANT 5°

AS1418.5-2013  
COMPLIANT

VALID FOR STANDARD  
& BROAD GAUGE ONLY



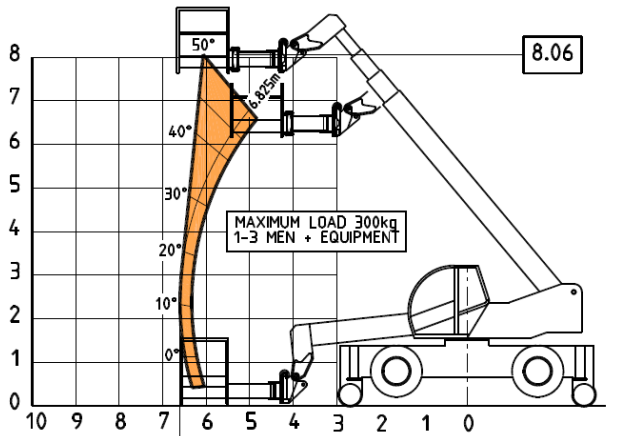
**DIECI PEGASUS 45.21+50.21 HI-RAIL TELEHANDLERS WITH 300kg CAPACITY TRILATERAL EXTENDING EWP RATED CAPACITY CREEPING ON RAILS**

**OPERATING LIMITS:**

MAXIMUM BOOM ELEVATION 50°  
 MAXIMUM BOOM LENGTH 8.475m  
 MAXIMUM SLEW ANGLE + - 45°  
 MAXIMUM GRADIENT 5°  
 MAXIMUM CANT 5°  
 MAXIMUM WIND SPEED 12.5m/sec (45km/hr)

COMPLIANT WITH ASI4.18.10-2011

VALID FOR STANDARD & BROAD GAUGE ONLY



REV. 23/09/14

6.60

LOAD CHART DPW/1C55

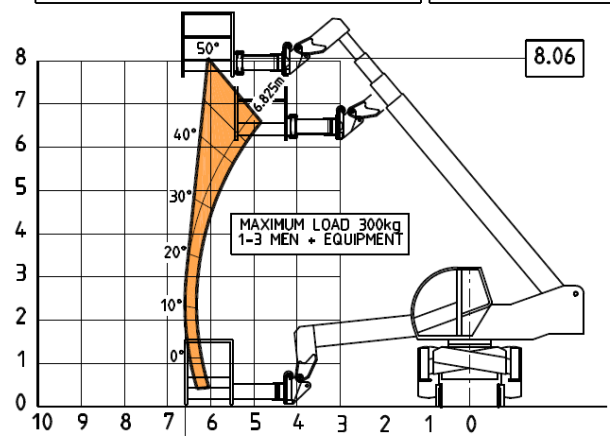
**DIECI PEGASUS 45.21+50.21 HI-RAIL TELEHANDLERS WITH 300kg CAPACITY TRILATERAL EXTENDING EWP RATED CAPACITY STATIONARY ON RAILS 360°**

**OPERATING LIMITS:**

MAXIMUM BOOM ELEVATION 50°  
 MAXIMUM BOOM LENGTH 8.475m  
 MAXIMUM GRADIENT 5°  
 MAXIMUM CANT 5°  
 MAXIMUM WIND SPEED 12.5m/sec (45km/hr)

COMPLIANT WITH ASI4.18.10-2011

VALID FOR STANDARD & BROAD GAUGE ONLY



REV. 13/03/15

6.60

LOAD CHART DPW/1S55

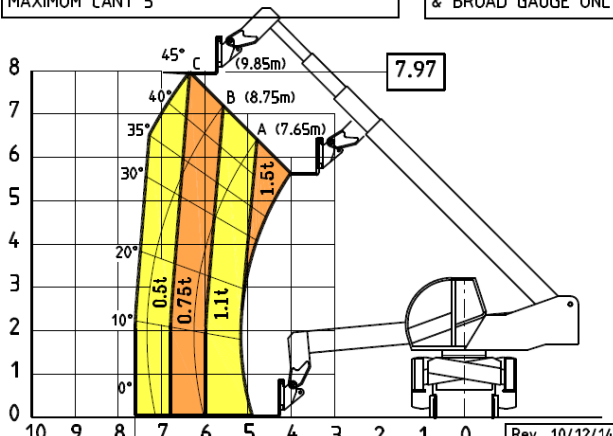
**DIECI PEGASUS 45.21 & 50.21 HI-RAIL TELEHANDLERS WITH 5t CAPACITY, 600mm LC FORKS #BUD1065 RATED CAPACITY STATIONARY ON RAILS (360°)**

**OPERATING LIMITS:**

MAXIMUM BOOM ELEVATION 45°  
 MAXIMUM BOOM LENGTH 9.85m (POSITION 'C')  
 MAXIMUM BOOM SLEW ANGLE 360°  
 MAXIMUM GRADIENT 5°  
 MAXIMUM CANT 5°

AS14.18.5-2013 COMPLIANT

VALID FOR STANDARD & BROAD GAUGE ONLY



7.60

LOAD CHART DPW/1F360

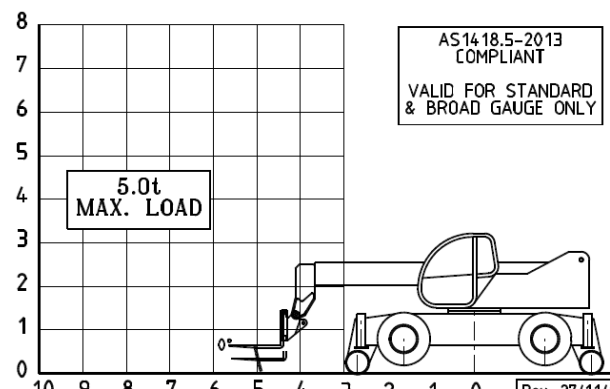
**DIECI PEGASUS 45.21 & 50.21 HI-RAIL TELEHANDLERS WITH 5t CAPACITY, 600mm LC FORKS #BUD1065 RATED PICK & CARRY CAPACITY ON RAILS**

**OPERATING LIMITS:**

MAXIMUM BOOM ELEVATION 0°  
 MAXIMUM BOOM LENGTH 6.55m (FULLY RETRACTED)  
 MAXIMUM BOOM SLEW ANGLE 0°  
 MAXIMUM GRADIENT 5°  
 MAXIMUM CANT 5°  
 MINIMUM CLEARANCE - RAILS TO BOTTOM OF FORKS: 30cm

AS14.18.5-2013 COMPLIANT

VALID FOR STANDARD & BROAD GAUGE ONLY



5.0

LOAD CHART DPW/1FPC

REV. 27/11/14

DIECI PEGASUS 45.21 & 50.21 HI-RAIL TELEHANDLERS  
with 600mm LOAD CENTRE FORKS  
LOAD CAPACITIES STATIONARY ON RUBBER OVER SIDE

COMPLIANT WITH  
AS1418.5-2013

